

**\$195.00**

includes tax and delivery

**Features**

- Single lever handle allows for both on/off activation,
- Ceramic disc valves exceed industry longevity standards for a lifetime of durable performance.
- 1.8 gal/min (6.84 l/min) maximum flow rate [max at 60 psi (4.1 bar)]
- Red/blue indexing on handle.
- Flexible supplies for simplified installation.
- ADA Compliant



**Material**

- Premium metal construction.
- Finishing resists corrosion and tarnishing.

**Installation**

- Single-hole.



NSF/ANSI 61



**Codes/Standards**

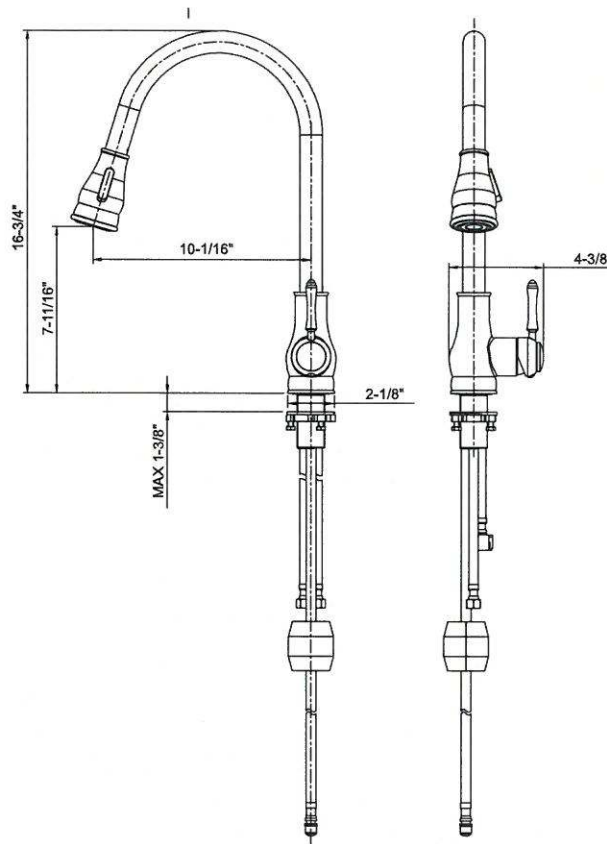
ASME A 112.18.1-2012/CSA B125.1-12  
NSF 61  
NSF 372  
All applicable US Federal and State material regulations  
EPA WaterSense®  
California Energy Commission (CEC)

**Available Color/Finishes**

Intended for reference only.

**Color Code Description**

■	BN	Brush Nickel
---	----	--------------



**\$195.00**

includes tax and delivery

### Technical Information

All product dimensions are nominal.

Valve body: Lead free brass

Drain included: NO

### Spout

Spout Length: 10-1/16"

Spout Height: 7-11/16"

### Faucet

Flow rate: 1.8 gal/min (6.84 l/min)

Pressure: 60 psi (4.1 bar)

### Installation Information

Install this product according to the installation instructions.

### Faucet Lifetime Limited Warranty

See website for detailed warranty information.

**\$275.00**

includes tax and delivery

**Features**

- Single lever handle allows for both on/off activation,
- Ceramic disc valves exceed industry longevity standards for a lifetime of durable performance.
- 1.8 gal/min (6.84 l/min) maximum flow rate [max at 60 psi (4.1 bar)]
- Red/blue indexing on handle.
- Flexible supplies for simplified installation.
- ADA Compliant

**Material**

- Premium metal construction.
- Finishing resists corrosion and tarnishing.



**Installation**

- Single-hole.



NSF/ANSI 61



**Codes/Standards**

ASME A 112.18.1-2012/CSA B125.1-12  
NSF 61  
NSF 372  
All applicable US Federal and State material regulations  
EPA WaterSense®  
California Energy Commission (CEC)

**Available Color/Finishes**

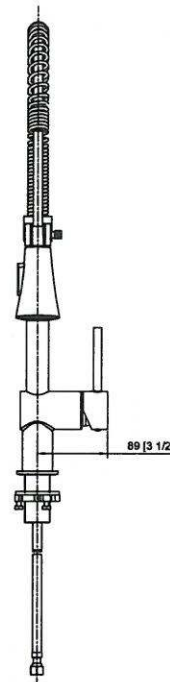
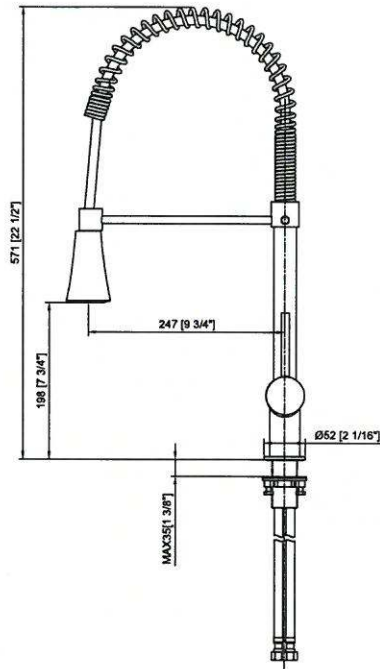
Intended for reference only.

**Color Code Description**

	BN	Brush Nickel
--	----	--------------

**\$275.00**

includes tax and delivery



### Technical Information

All product dimensions are nominal.

Valve body: Lead free brass

Drain included: NO

### Spout

Spout Length: 9-3/4"

Spout Height: 7-3/4"

### Faucet

Flow rate: 1.8 gal/min (6.84 l/min)

Pressure: 60 psi (4.1 bar)

### Installation Information

Install this product according to the installation instructions.

### Faucet Lifetime Limited Warranty

See website for detailed warranty information.

**\$195.00**

includes tax and delivery

**Features**

- Single lever handle allows for both on/off activation,
- Ceramic disc valves exceed industry longevity standards for a lifetime of durable performance.
- 1.8 gal/min (6.84 l/min) maximum flow rate [max at 60 psi (4.1 bar)]
- Red/blue indexing on handle.
- Flexible supplies for simplified installation.
- ADA Compliant

**Material**

- Premium metal construction.
- Finishing resists corrosion and tarnishing.



**Installation**

- Single-hole.



NSF/ANSI 61





**Codes/Standards**

ASME A 112.18.1-2011/CSA B125.1-11  
NSF 61  
NSF 372  
All applicable US Federal and State material regulations  
EPA WaterSense®  
California Energy Commission (CEC)

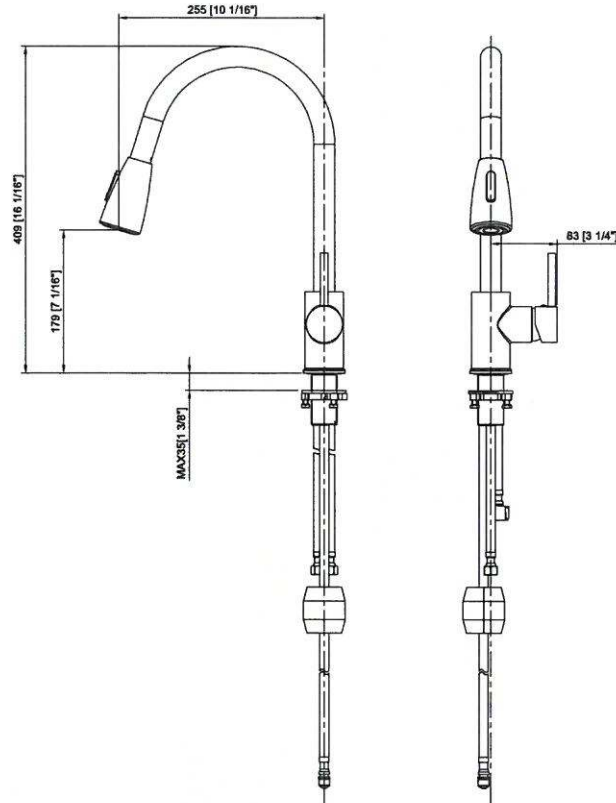
**Available Color/Finishes**

Intended for reference only.

Color	Code	Description
	BN	Brush Nickel
	ORB	Oil Rubbed Bronze

**\$195.00**

includes tax and delivery



### Technical Information

All product dimensions are nominal.

Valve body: Lead free brass

Drain included: NO

### Spout

Spout Length: 10-1/16"

Spout Height: 7-1/16"

### Faucet

Flow rate: 1.8 gal/min (6.84 l/min)

Pressure: 60 psi (4.1 bar)

### Installation Information

Install this product according to the installation instructions.

### Faucet Lifetime Limited Warranty

See website for detailed warranty information.

**\$155.00**

includes tax and delivery

### Features

- Single lever handle allows for both on/off activation,
- Ceramic disc valves exceed industry longevity standards for a lifetime of durable performance.
- 1.5 gal/min (5.7 l/min) maximum flow rate [max at 60 psi (4.1 bar)]
- Red/blue indexing on handle.
- Flexible supplies for simplified installation.



### Material

- Premium metal construction.
- Finishing resists corrosion and tarnishing.

### Installation

- Single-hole.



NSF/ANSI 61



### Codes/Standards

- CUPC (ASME A112.18.1-2012/CSA B125.1-12)
- NSF/ANSI 61
- NSF/ANSI 372  
All applicable US Federal and State material regulations
- EPA WaterSense®
- CEC (California Energy Commission)

### Available Color/Finishes

Intended for reference only.

Color	Code	Description
	CHR	Chrome
	BN	Brush Nickel



CHR

Chrome

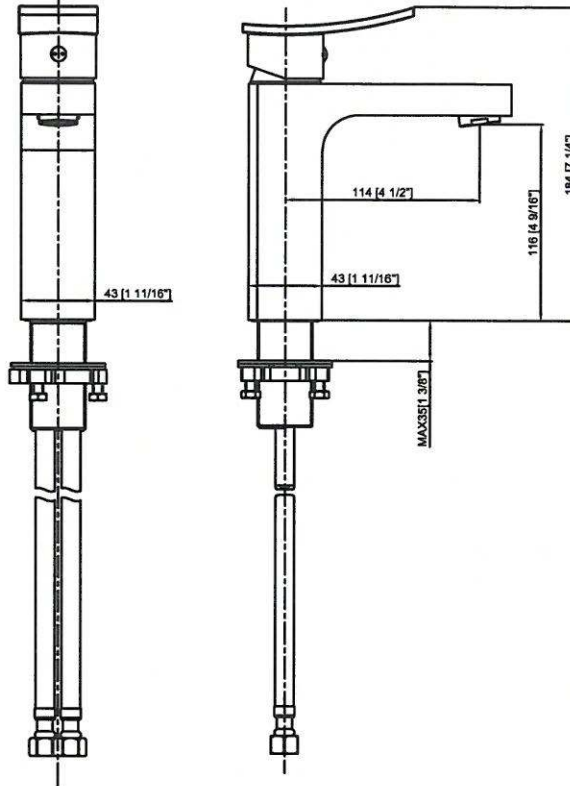


BN

Brush Nickel

**\$155.00**

includes tax and delivery



### Technical Information

All product dimensions are nominal.

Valve body: Lead free brass

Drain included: NO

### Spout

Spout Length: 4-1/4"

Spout Height: 4-9/16"

### Faucet

Flow rate: 1.5 gal/min (5.7 l/min)

Pressure: 60 psi (4.1 bar)

### Installation Information

Install this product according to the installation instructions.

### Faucet Lifetime Limited Warranty

See website for detailed warranty information.



**\$155.00**

includes tax and delivery

**Features**

- Single lever handle allows for both on/off activation,
- Ceramic disc valves exceed industry longevity standards for a lifetime of durable performance.
- 1.5 gal/min (5.7 l/min) maximum flow rate [max at 60 psi (4.1 bar)]
- Red/blue indexing on handle.
- Flexible supplies for simplified installation.



**Material**

- Premium metal construction.
- Finishing resists corrosion and tarnishing.

**Installation**

- Single-hole.



NSF/ANSI 61



**Codes/Standards**

ASME A 112.18.1-2012/CSA B125.1-12  
NSF 61  
NSF 372  
All applicable US Federal and State material regulations  
EPA WaterSense®  
California Energy Commission (CEC)

**Available Color/Finishes**

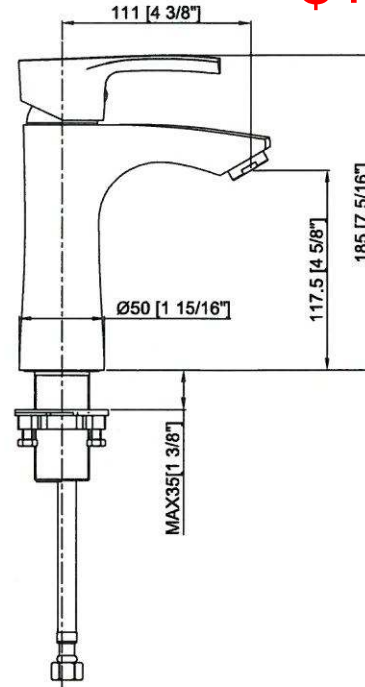
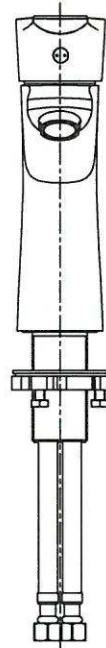
Intended for reference only.

**Color Code Description**

	BN	Brush Nickel
---	----	--------------

**\$155.00**

includes tax and delivery



### Technical Information

All product dimensions are nominal.

Valve body: Lead free brass

Drain included: NO

### Spout

Spout Length: 4-3/8"

Spout Height: 4-5/8"

### Faucet

Flow rate: 1.5 gal/min (5.7 l/min)

Pressure: 60 psi (4.1 bar)

### Installation Information

Install this product according to the installation instructions.

### Faucet Lifetime Limited Warranty

See website for detailed warranty information.

**Features**

- Two handles allows for both on/off activation,
- Ceramic disc valves exceed industry longevity standards for a lifetime of durable performance.
- 1.5 gal/min (5.7 l/min) maximum flow rate [max at 60 psi (4.1 bar)]
- Red/blue indexing on handle.
- Flexible supplies for simplified installation.

**Material**

- Premium metal construction.
- Finishing resists corrosion and tarnishing.

**Installation**

- Three-holes.

**Codes/Standards**

ASME A 112.18.1-2012/CSA B125.1-12  
NSF 61  
NSF 372  
All applicable US Federal and State material regulations  
EPA WaterSense®  
California Energy Commission (CEC)

**\$195.00**

includes tax and delivery




NSF/ANSI 61



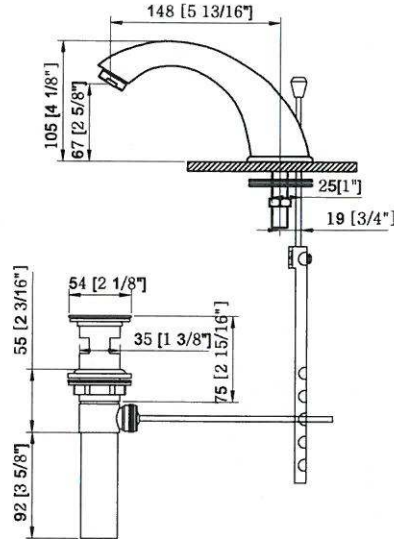
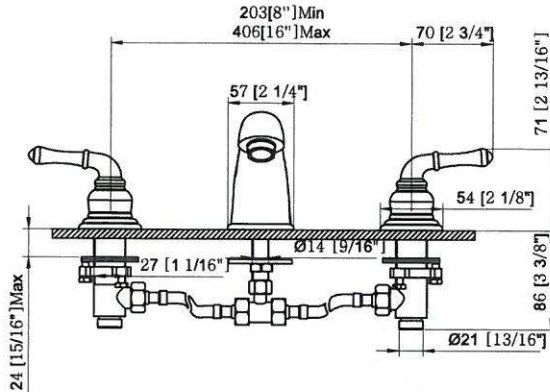
**Available Color/Finishes**

Intended for reference only.

Color	Code	Description
	CHR	Chrome
	BN	Brush Nickel

**\$195.00**

includes tax and delivery



### Technical Information

All product dimensions are nominal.

Valve body: Lead free brass

Drain included: YES

### Spout

Spout Length: 5-13/16"

Spout Height: 2-5/8"

### Faucet

Flow rate: 1.5 gal/min (5.7 l/min)

Pressure: 60 psi (4.1 bar)

### Installation Information

Install this product according to the installation instructions.

### Faucet Lifetime Limited Warranty

See website for detailed warranty information.